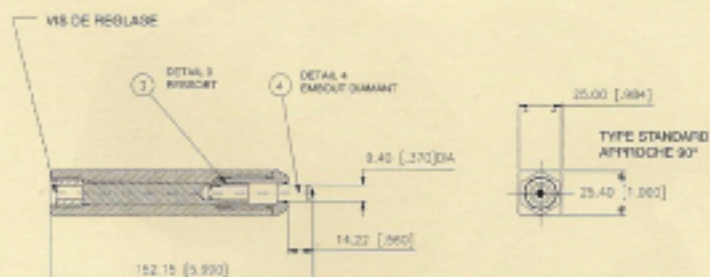


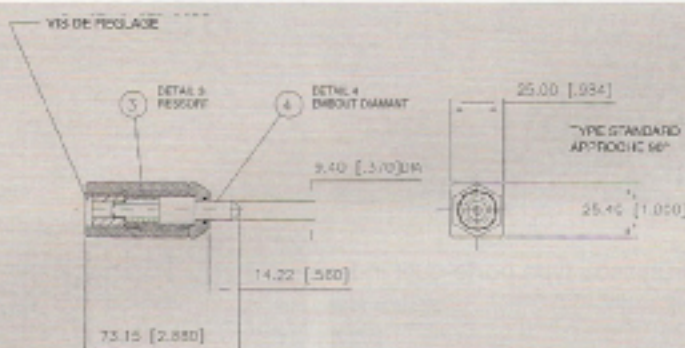
# Dimensions

**DB-1**



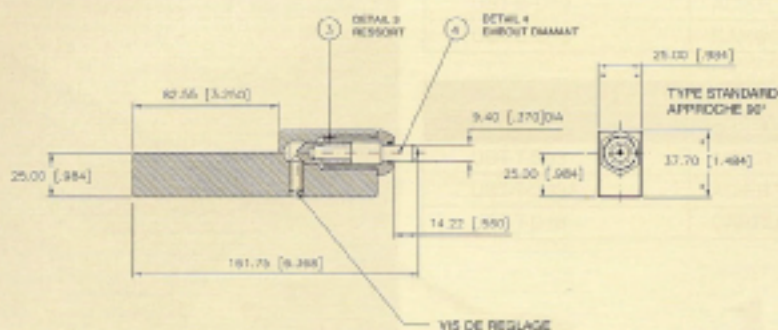
METRIQUE (POUCE)

**DB-2**



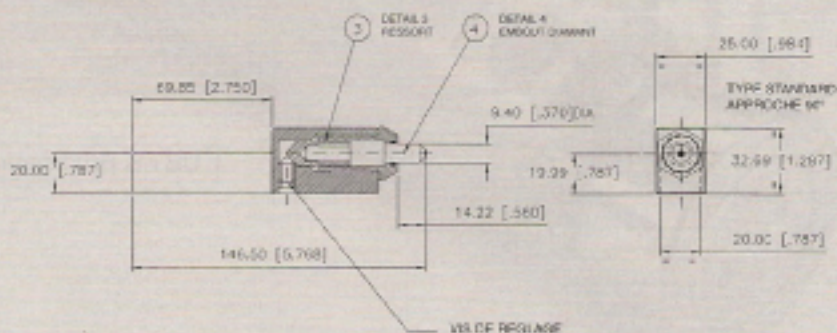
METRIQUE (POUCE)

**DB-3**



METRIQUE (POUCE)

**DB-4**



METRIQUE (POUCE)